

EPR-101/111

▶ Ethernet & PoE Repeater

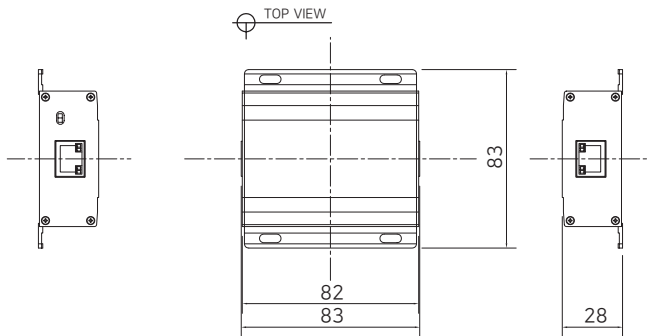
EPR-101



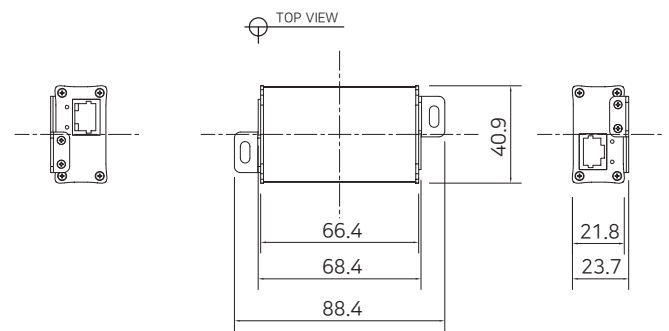
EPR-111



Dimension



Dimension



Specification

Model		EPR-101	EPR-111
Interface	LAN / PoE In	1 x RJ45 - 10/100 Base-T with Auto-detect MDIX	
	LAN / PoE Out	1 x RJ45 - 10/100 Base-T with Auto-detect MDIX	
Transmission Rate		100Mbps Full Duplex	
Transmission Distance		100m ** (250m)	100m ** (200m)
LED Indication	Ethernet	1 x Data (Green)	
	Power	1 x PoE (Yellow)	
PoE	Standards	IEEE802.3af (PoE)	
	Max. Power	Max. 15W	
Mechanical	Dimension	82(L) x 83(W) x 28(H)mm	66.4(L) x 40.9(W) x 21.8(H)mm
	Weight	118g	72.5g
Environment	Operating Temp	-20 ~ 60°C	
	Storage Temp	-20 ~ 80°C	
	Relative Humidity	10% ~ 90%	

▶ ** () means Max distance between EPR series.

Overview

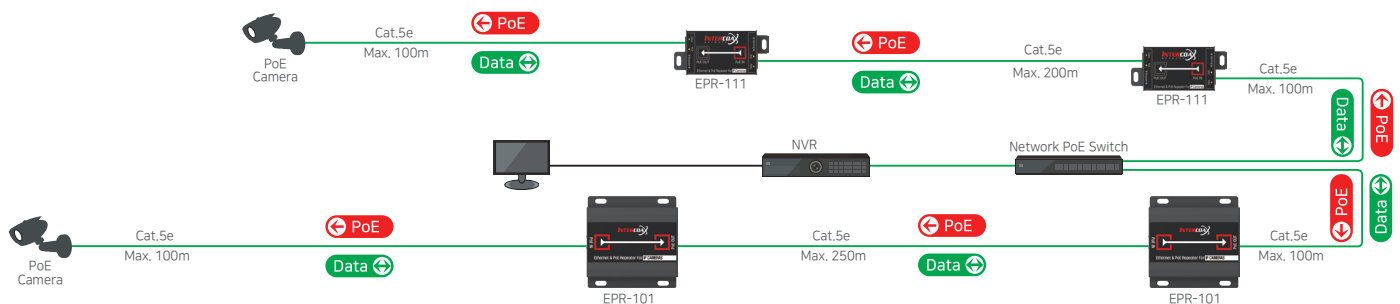
EPR Series are Ethernet & PoE Repeaters that make possible to overcome max. 100m distance limitation of the network configuration. For more distance extension, the devices can be added by daisy-chaining (up to 750m).

It is cost effective and easy installation solution for all kind of PoE (IEEE802.3af / 15W) compliant devices such as IP cameras, Network Switch, VoIP Phone, etc.

Features

- Ethernet & PoE Repeater
- Up to 250m Ethernet & PoE extension (EPR-111: 200m)
- Additional extension by adding devices
- 15W PoE output (IEEE802.3af)
- PoE On/Off switch supported (EPR-101 only)
- No additional power required (PoE powered)
- Surge Protection
- Slim design (EPR-111)

Connection Diagram



▶ Transmission distance may vary depending on the type and quality of cable, camera and environmental condition