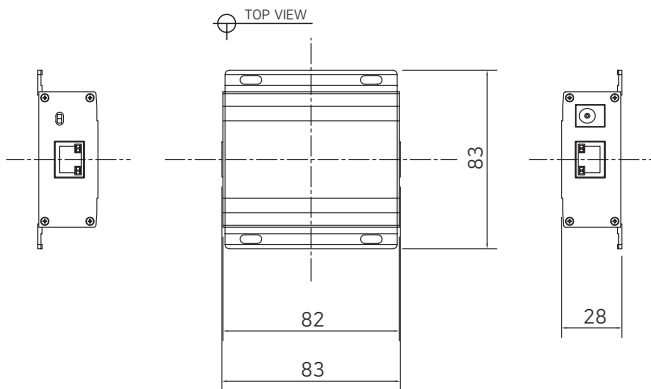


EPR-1001 ▶ Gigabit Ethernet & PoE+ Repeater



Dimension



Specification

Model		EPR-1001
Interface	LAN / PoE In	1 x RJ45 - 10/100/1000 Base-T with Auto-detect MDIX
	LAN / PoE Out	1 x RJ45 - 10/100/1000 Base-T with Auto-detect MDIX
Transmission Rate		1Gbps Full Duplex
Transmission Distance		100m ** (250m)
LED Indication	Ethernet	1 x Data(Green)
	Power	1 x PoE(Yellow)
PoE	Standards	IEEE802.3af / IEEE802.3at
	Max. Power	Max. 25.5W (PoE) / 60W (DC 57V/1.2A)
Mechanical	Dimension	82(L) x 83(W) x 28(H)mm
	Weight	118g
Environment	Operating Temp	-20 ~ 60°C
	Storage Temp	-20 ~ 80°C
	Relative Humidity	10% ~ 90%

▶ ******() : Max. distance between Intercoax PoE Repeaters

Overview

EPR-1001 is a Gigabit (10/100/1000) Ethernet & PoE + Repeater that make possible to overcome max. 100m distance limitation of the standard network configuration.

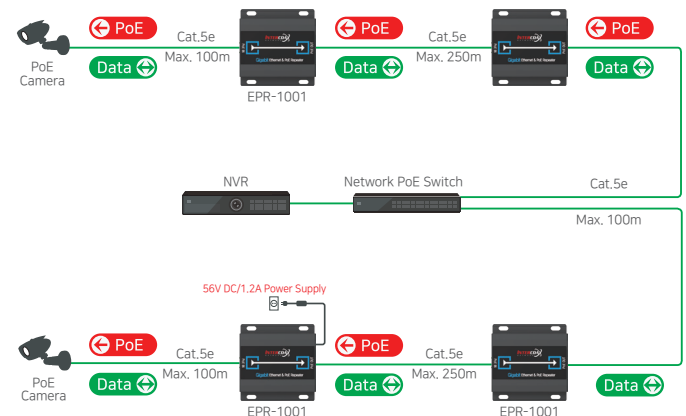
For more distance extension, the devices can be added by daisy-chaining (up to 750m) and possible to configure an IP extension easily.

It is cost effective and easy installation solution for all kind of PoE (IEEE802.3af), PoE+ (IEEE802.3at) compliant devices and the device outputs high power PoE (up to 60W) by using 56VDC / 1.2A Power supply.

Features

- Gigabit Ethernet & PoE Repeater
- Up to 250 meter Ethernet & PoE Extension
- Additional extension by adding devices (Up to 750m / 250m extension between devices)
- IEEE802.3af (15W) / IEEE802.3at (25.5W) / Up to 60W PoE output (Using 56VDC / 1.2A Power supply)
- PoE output On / Off Switch
- PoE, PoE+ Input (From PoE Switch, PoE Injector)
- Surge Protection
- DC input supported (DC12~57V)

Connection Diagram



▶ Transmission distance may vary depending on the type and quality of cable, use of power and environmental condition.