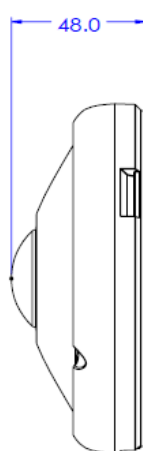
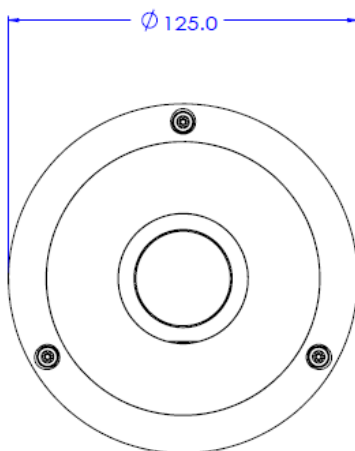


5M IP 360° Fisheye IR CAMERA

NVF2-A5-R



Dimension (unit : mm)



FEATURES

IP Fisheye Camera for 360° or 180° viewing angle

The ultra-wide 1.45mm fisheye lens with edge-to-edge image clarity produces up to 5MP 360°, 180° or 90° panoramic or 360° hemispheric images in any lighting environment at the VMS or NVR side.

Optimized Multiple Profile Streaming

Up to 3 streams are able to be set by different setting parameters such as res. video rate and frame rate to be serviced for different purposes at 1944p environments.

ROI(Region of Interest)

- Gives efficient video rates with optimized video quality. Frequently moving areas are keeping much better quality. On the other hands, less moving areas are dropping video rates.

Various web plug-in

IE, Safari, Chrome, Firefox and Etc. any kind of web browsers are supported by the most flexible web plug in.

Advanced built in ISP

3D-DNR, Adjustable 3A features, Defect Pixel Correction, WDR, HDR, lens correction and even more advanced ISP functions are provided from built in ISP.

Fluid integration way

The latest Onvif profiles(S,G,Q) are optimized to have interoperability with any kind of purpose. Well-structured CGI-API plug in gives even more detailed functions to be integrated to VMS.

Invisible IR LEDs

Implemented with 3pcs of High Powered IR LEDs but, will not be visible from outside.

Specification

CAMERA	
Image Sensor Resolution	1/1.8" 6.4M CMOS Sensor
Total Pixels	3096(H) X 2080(V)
Focal Length	1.55mm, F2.5
Lens Type	Fisheye (fixed)
IRIS Type	Auto Exposure
Field Angle (FOV)	D: 185°, H: 185°, V: 185°
Shutter Speed	Auto / Manual (1/15 ~ 1/32000), Anti-Flicker, SlowShutter(1/2, 1/3, 1/5, 1/6, 1/7.5, 1/10)
MIN. Illumination	0.39Lux, 0Lux with IR (F2.5)
IR LEDES	H3IR
IR Distance	55ft
Dynamic Range Conf.	D-WDR
Dynamic Range	-
S/N Ratio	50dB
D&N	TDN(True day & Night)
Digital Noise Reduction	3D-DNR
Privacy Mask Support	16 Programmable Zone
AGC	Auto
Other Image Processing	BLC, Configurable Exposure, White Balance, Sharpness

ENCODER (VIDEO & AUDIO)	
Video Compression	H.264, MJPEG
H.264 Profile	BP / MP / HP
Max Resolution	2592 X 1944
Multiple Profile Streaming Performance	2592x1944p30 + 480p with H.264 + MJPEG
Video Bitrate	100Kbps ~ 10Mbps, Multi-rate for Preview and Recording
Bitrate Control	Multi Streaming CBR/VBR at H.264 (Controllable frame rate and Bandwidth)
Edge Storage	Micro SD / SDHC / SDXC
Special Feature	Smart LBR, ROI

I/O & EVENT	
Audio In / Out	N/A
Alarm In /Out	N/A
Video output (2 nd Video output)	N/A
Event Trigger	Motion, Network disconnection, temperature critical
Pre-Post Recording	Pre: 1~5 sec. Post: 1~240 sec.
Event Notification	FTP, e-mail, SD card
Ethernet	RJ45(10/100BASE-T)

SECURITY & NETWORK	
Network Protocol	IPv4/IPv6, Zero config(Auto IP) ONVIF, TCP/IP, UDP, RTP(UDP/TCP), RTSP, NTP, HTTP,HTTPS, SSL, DNS, DDNS, DHCP, FTP, SMTP, ICMP, SNMPv1/v2c/v3(MIB-2)
Security	HTTPS(SSL), IP filtering, 802.1x, Digest Authentication(ID/PW)
SIP/VoIP Support	N/A
Plug In	CGI API, ONVIF

GENERAL	
Support Languages	English, Korean, Japanese
Power	(Adaptor is not Included) DC12V POE IEEE 802.3af Class3
Power consumption	DC12V Max 6.3W PoE Max 8.2W
Temperature	-20°C ~ 50°C
Humidity	10~90% RH (non-condensing)
Housing	Aluminum Die-casting
Dimensions (D x H)	Ø125 x 48 mm
Weight	0.5kg
Compliance	IP66